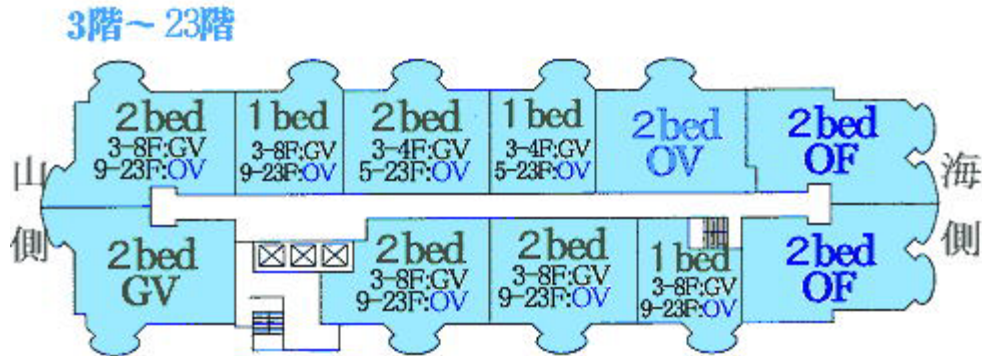


The 2-bed plus units are on floors 9 through 23 on the marina-facing side of the tower (units 69 and 70/71 [lock-off]). On the Diamond Head side, unit 65 (closest to the lagoon) is always a plus unit; unit 62/63 [lock-off] is a plus beginning on the 5th floor; unit 60 (closest to the garage/luau) is a plus beginning on the 9th floor.

Diamond Head side (60, 61, 62/63, 64, 65, 66)



Marina/Ilikai side (72, 70/71, 69, 68, 67)

And if you get a high enough floor, your view of Diamond Head won't be blocked by the Rainbow Tower.